




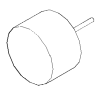
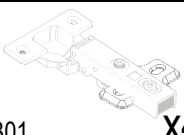
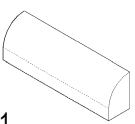
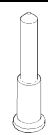
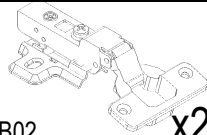
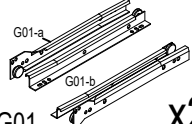
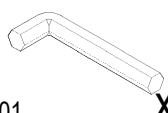
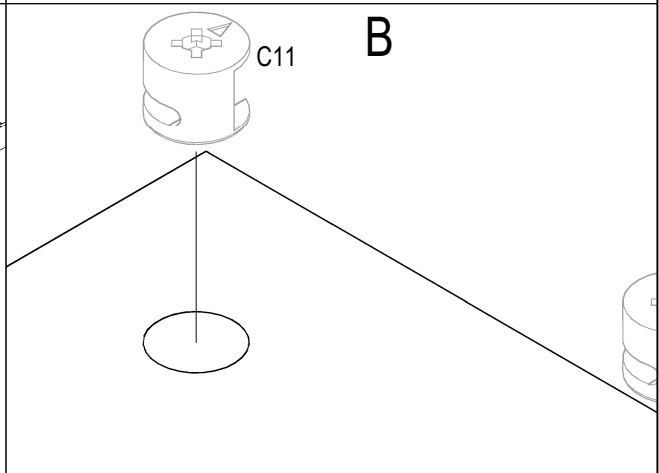
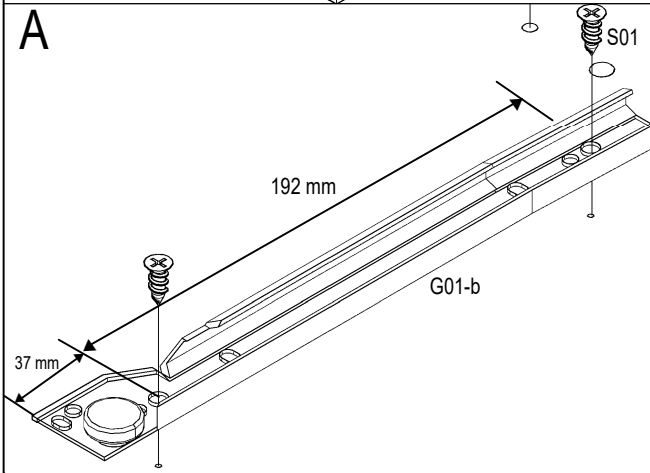
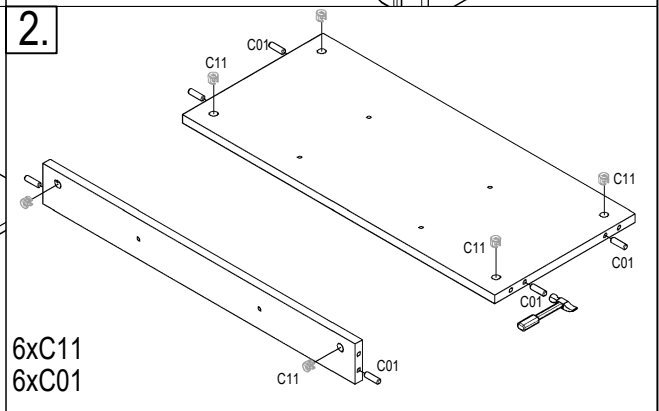
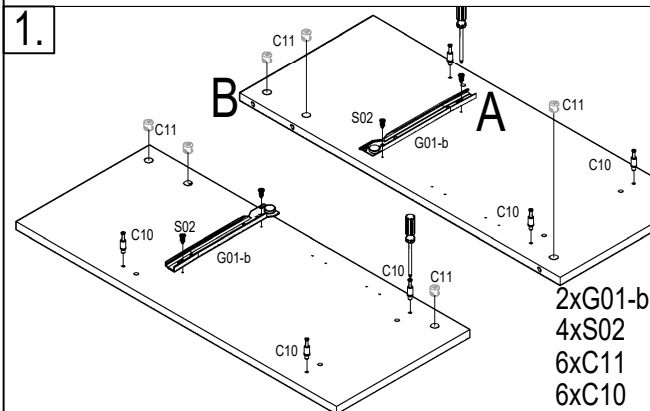
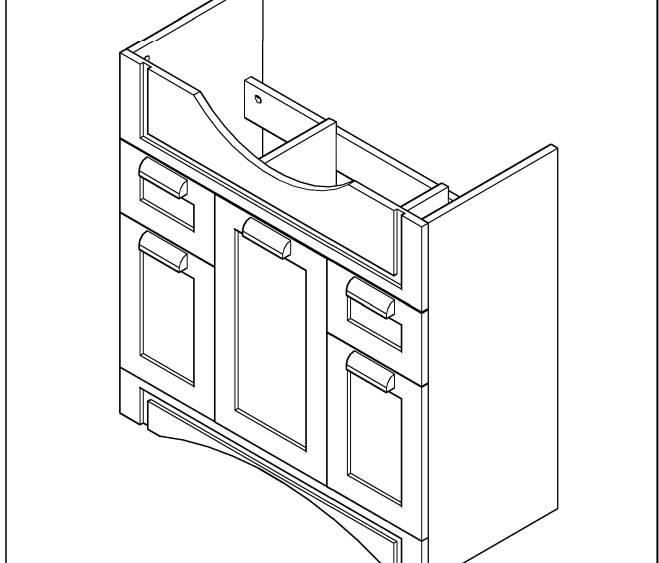
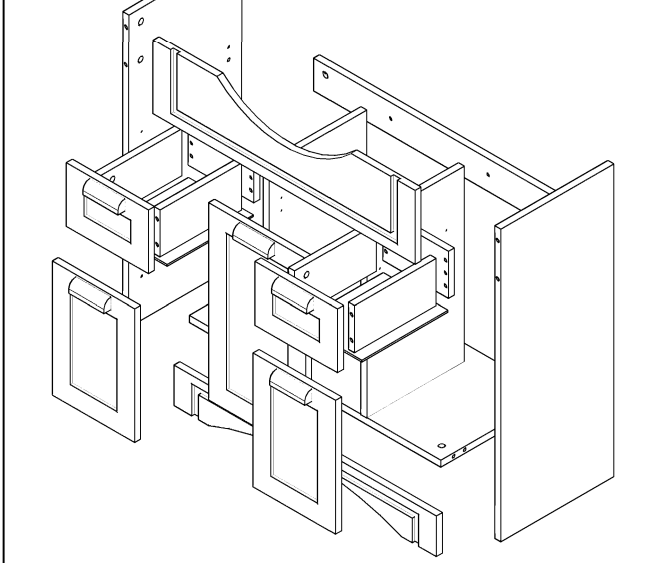
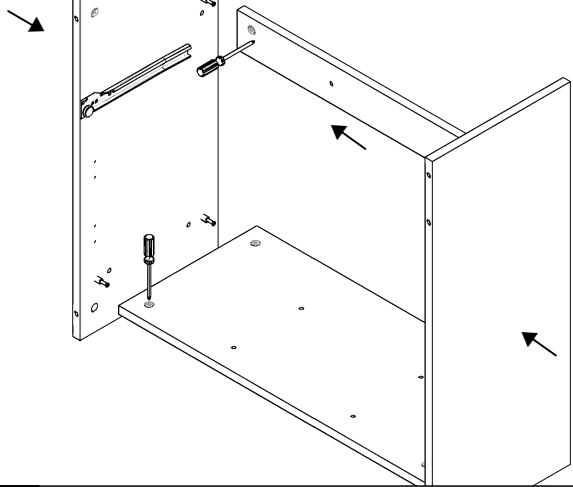


# NR.44

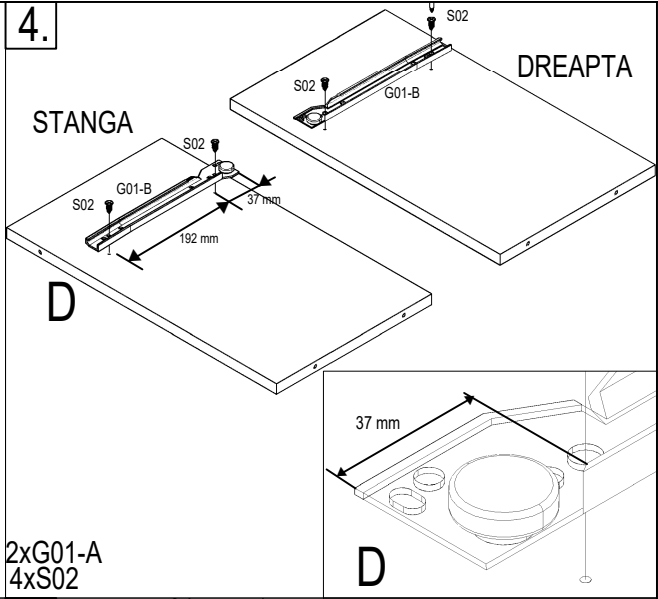
 <b>S02</b> <b>x44</b>	 <b>S11</b> <b>x10</b>	 <b>C01</b> <b>x14</b>	 <b>C10</b> <b>x20</b>	 <b>C11</b> <b>x20</b>	 <b>P01</b> <b>x4</b>
 <b>B01</b> <b>x4</b>	 <b>M01</b> <b>x5</b>	 <b>S01</b> <b>x10</b>	 <b>B02</b> <b>x2</b>	 <b>G01</b> <b>x2</b>	 <b>D01</b> <b>x1</b>



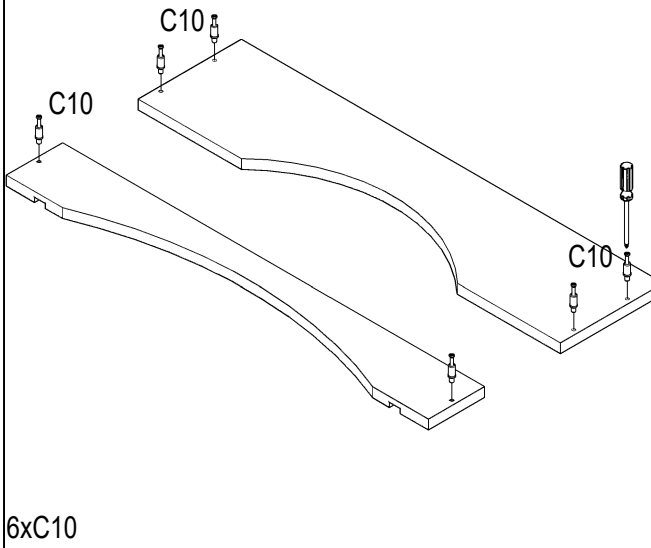
3.



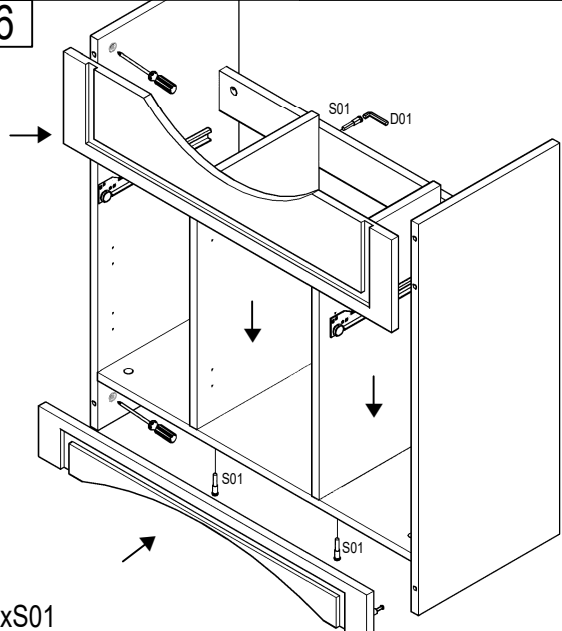
4.



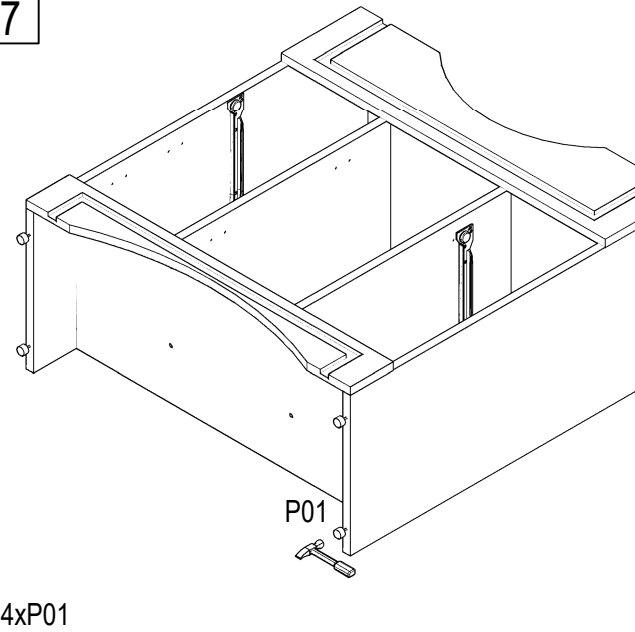
5.



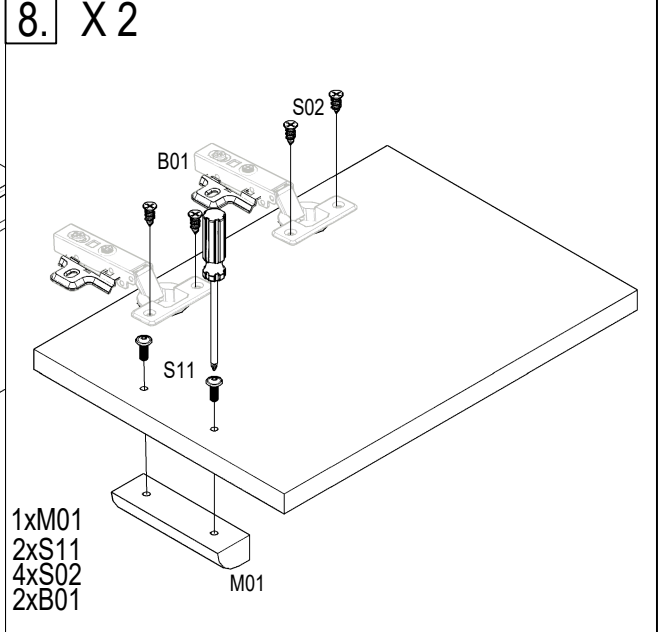
6.

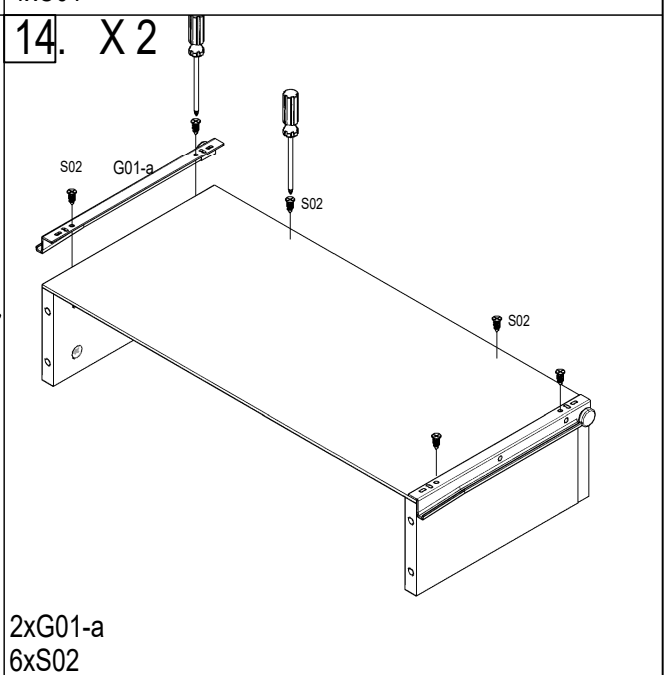
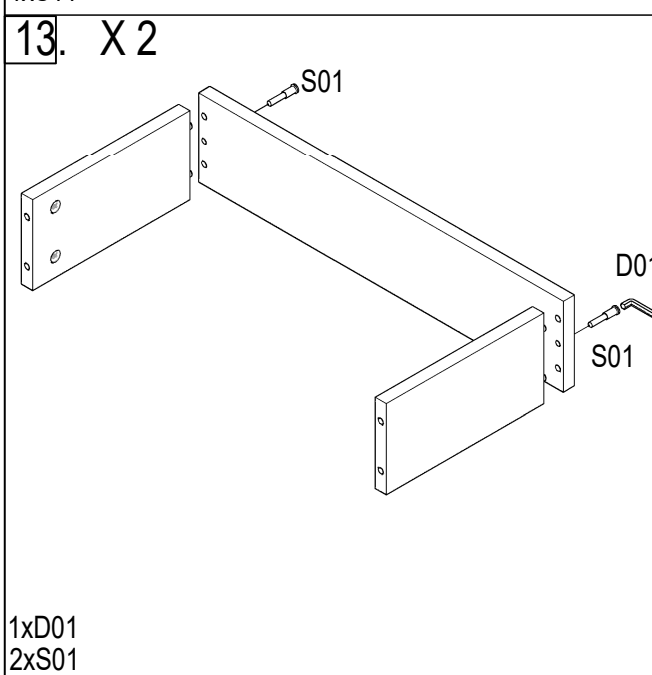
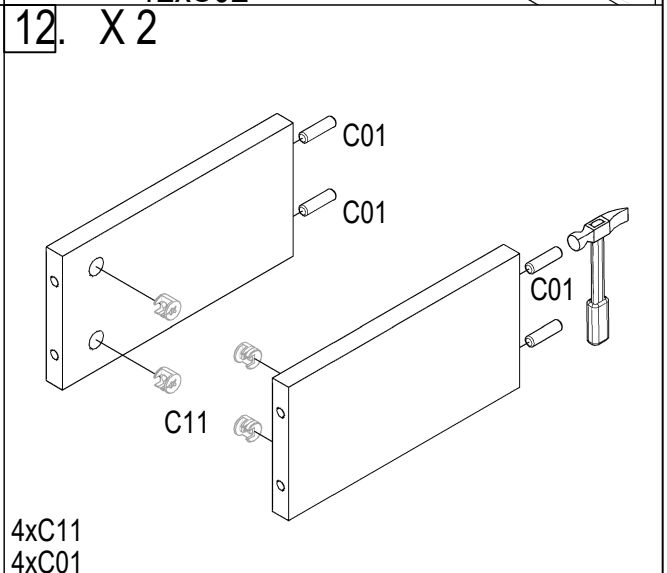
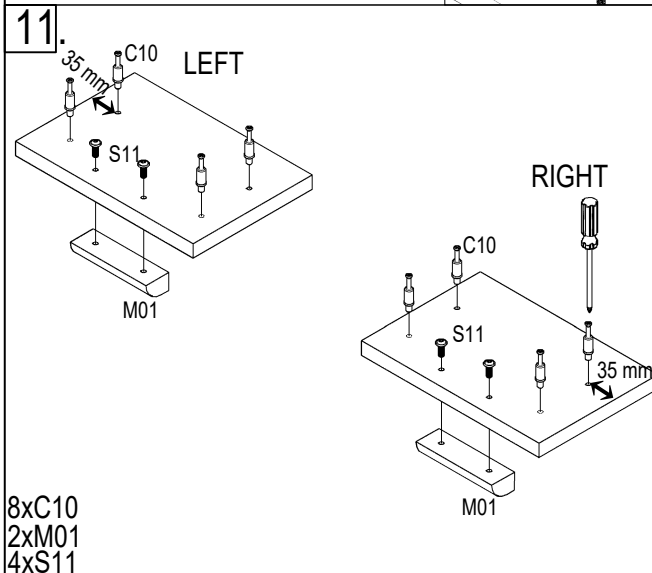
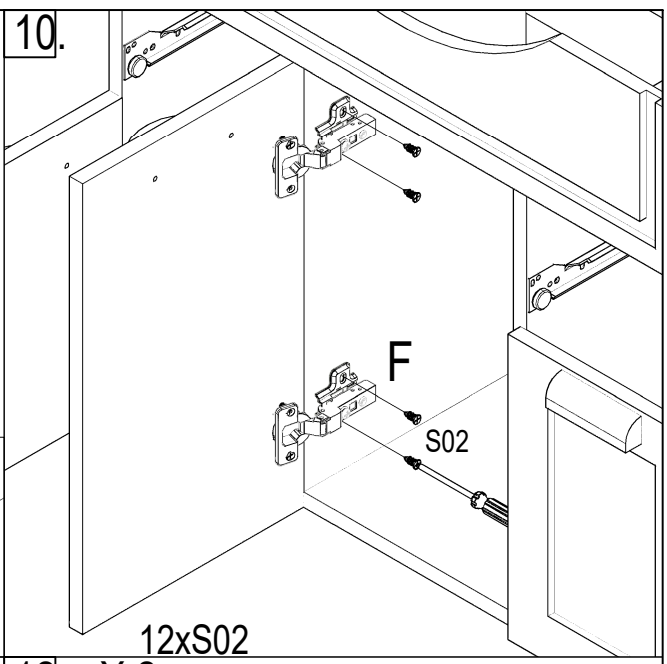
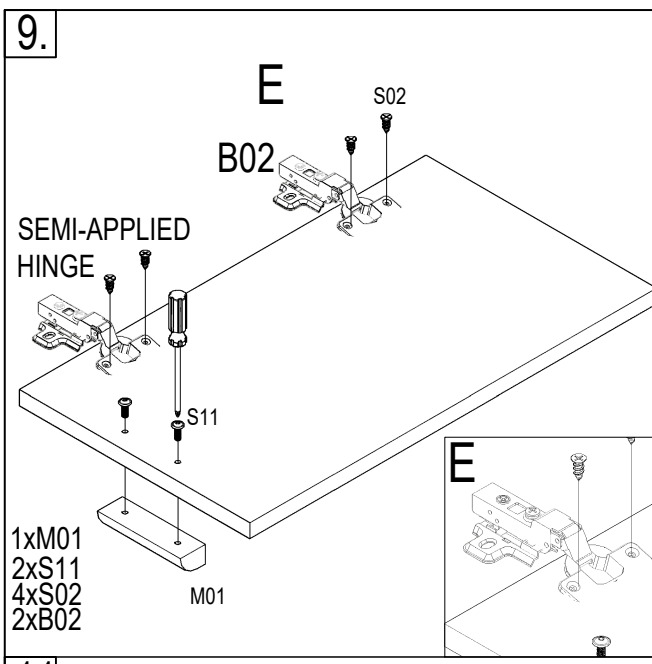


7.

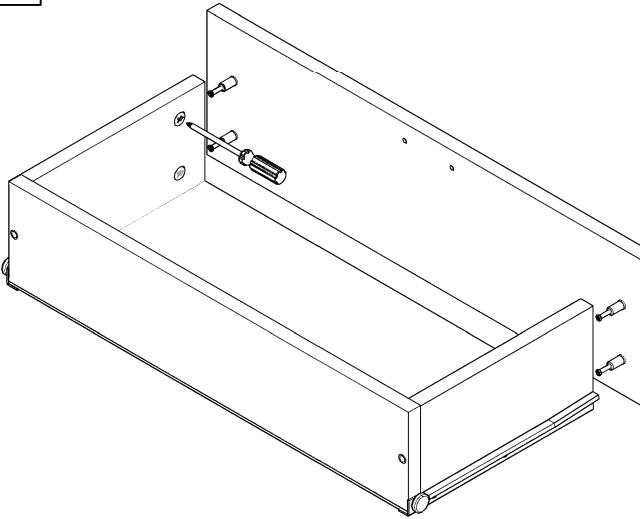


8. X 2

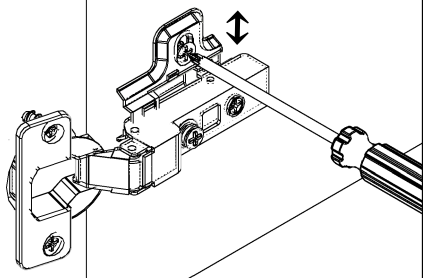
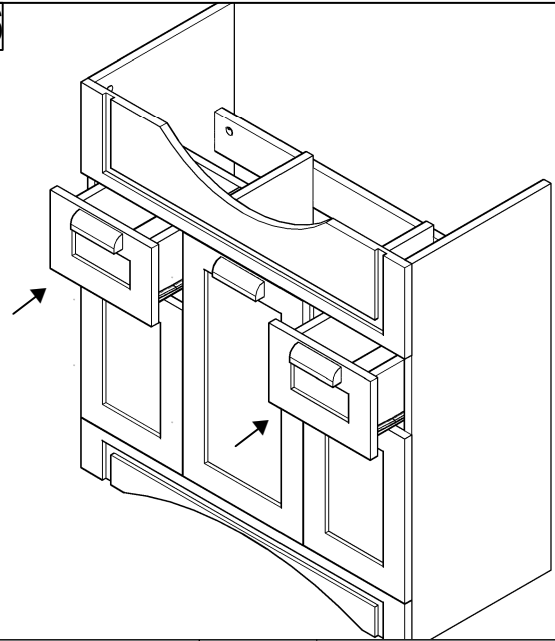




15. X 2

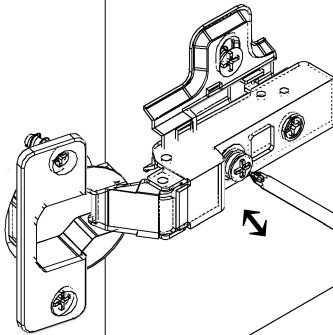


16



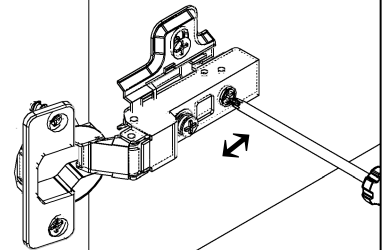
F 1

HEIGHT ADJUSTMENT



F 2

SIDE ADJUSTMENT



F 3

DEPTH ADJUSTMENT